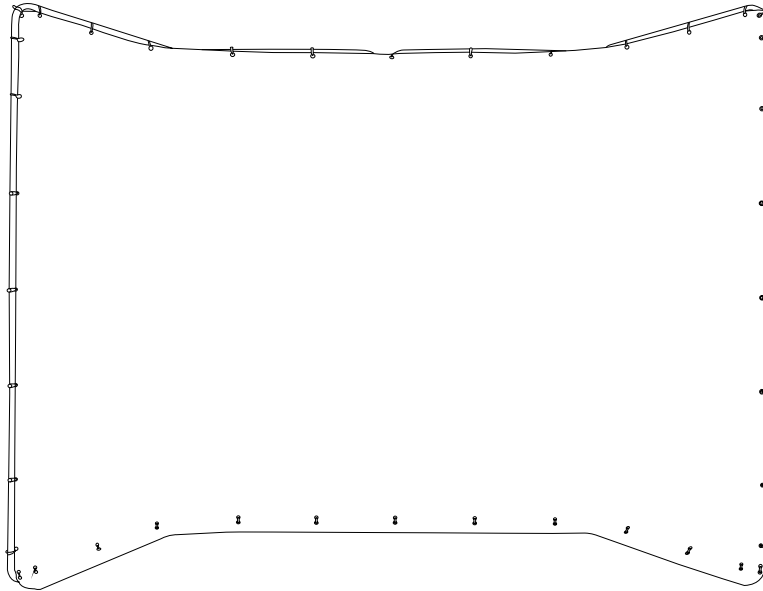




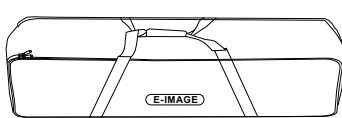
MB42 Collapsible Background

E-IMAGE MB42 collapsible background kit is a all-in-one portable solution for content creators, videographers and cinematographers working on the move. It includes four ultra-fast assembly frames, one green background, six hinge clips, elastic cords and one soft carrying bag. With a huge overall set up size of 4m wide and 2.4m tall, the large surface area makes it ideal for use when shooting wide and low camera angles, as well as moving subjects that would otherwise prove unachievable with a smaller surface.

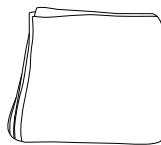


Specification	
Weight: 8.55kg / 18.8lbs (Including bag)	Color: Green, Black, Blue, White
Height: 2.4m / 94.5in	Width: 4m / 157.5in
Packing size: 98x26x20cm / 38.6x10.2x7.9in	

In The Box

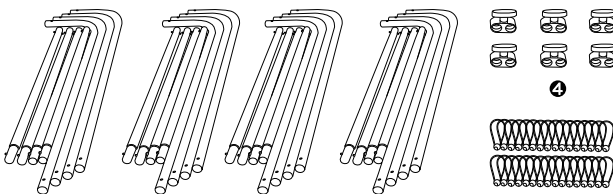


1



2

- 1 Soft carrying bag x1
- 2 Green background x1
- 3 Ultra-fast assembly aluminium frames x4 set
- 4 Hinge clips x6
- 5 Elastic cords x40



3



4



5

Contact Information

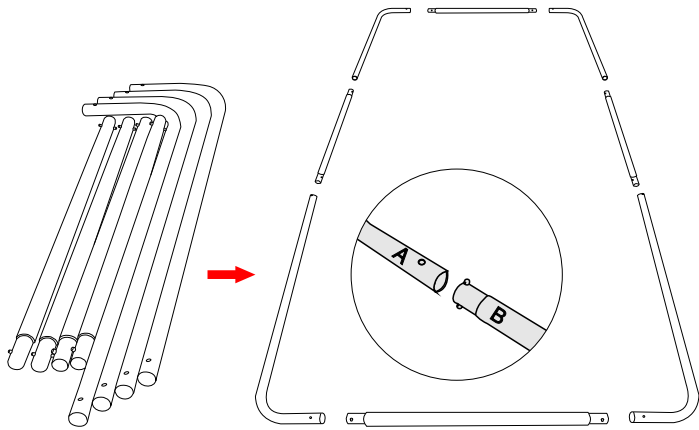
NINGBO EIMAGE STUDIO EQUIPMENT CO., LTD

Add: NO.1230 South Cihai Road, Luotuo Industry Zone,
Zhenhai, Ningbo, China 315202
Tel: 86-574-86590061/86590031 Fax: 0574-86590078
E-mail: sales@eimagevideo.com
Visit www.eimagevideo.com for more information

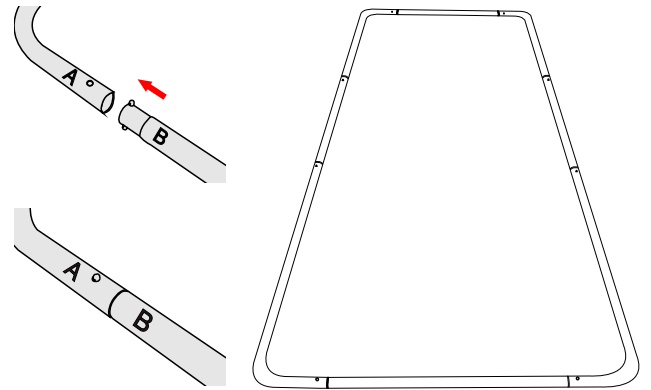


EIMAGE official QR code

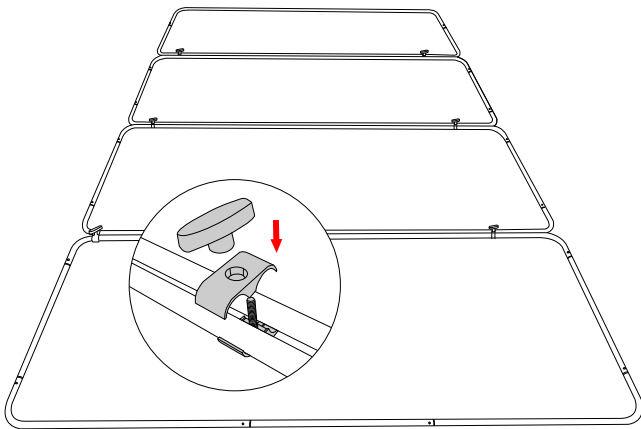
Instructions



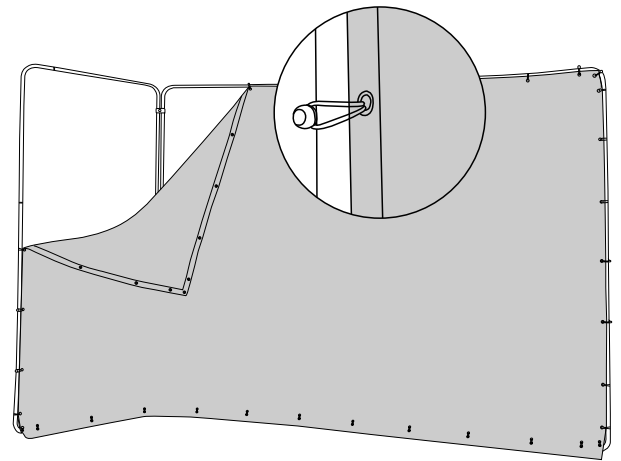
- 1** Each frame is combined by 4pcs straight tubes-A and 4pcs curved stubes-B. (As picture).



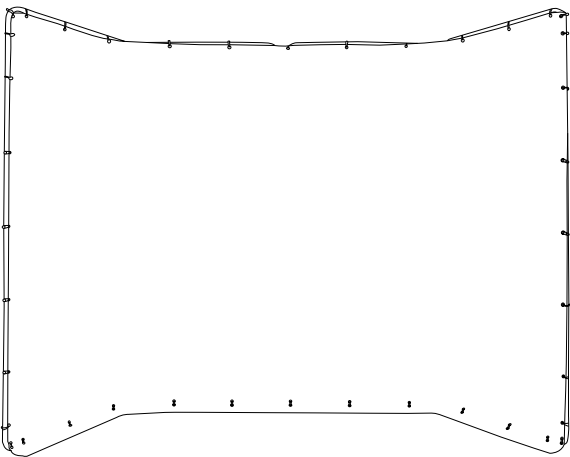
- 2** Please connect tube A with tube B by pressing down the spring pin, until it is bounced back.



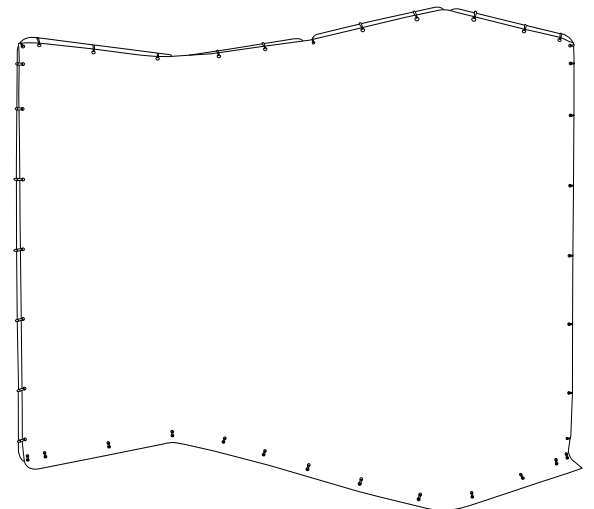
- 3** Use hinge clips to connect two frames.



- 4** Use elastic cords to mounted background on frames.



- 5** Complete the installation.



- 6** Change different shapes according to demand.